

INSTRUCTION MANUAL



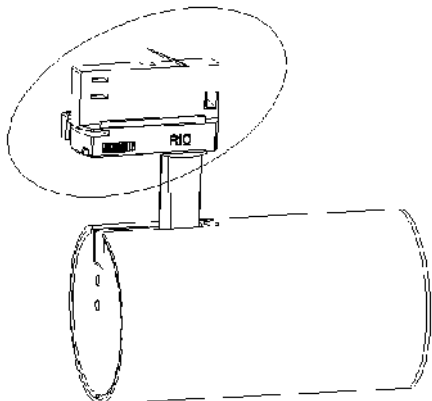
Application Model: L4T707

Product Description: 33w LED COB 3-phase Tracklight with internal driver

Voltage Input: 220-240V

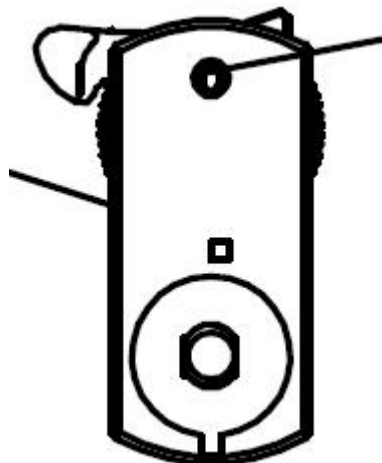
Frequency Input: 50Hz/60Hz

PLEASE READ THIS INSTALLATION GUIDE CAREFULLY BEFORE INSTALLATION

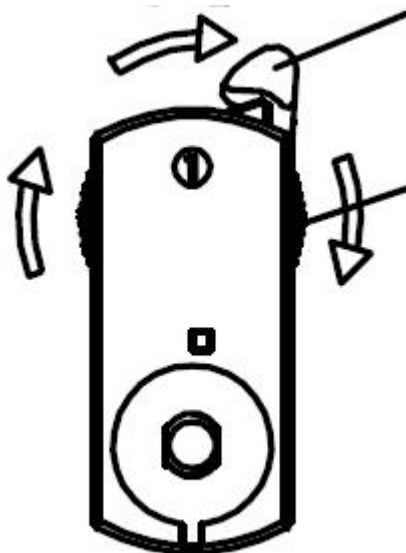


Step 1: Before commencing installation or maintenance, the electricity supply must be isolated.

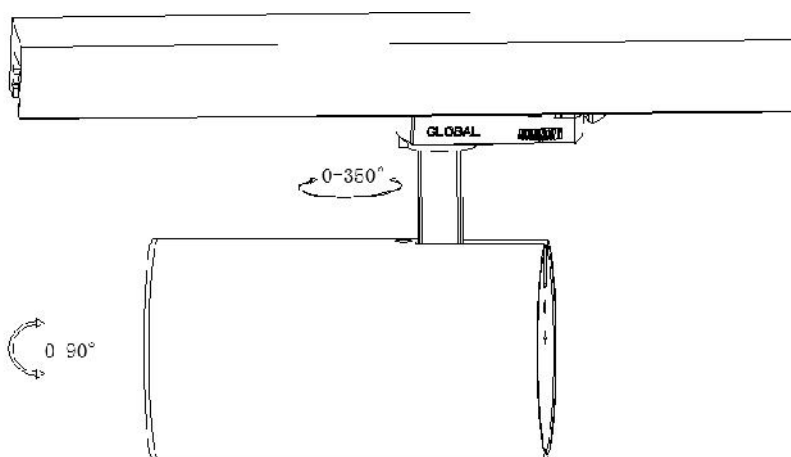
Step 2: Check the compatibility between the track and the track adaptor. Recommend to use RiO 3-phase track or Global Trac Pro series.



Step 3: For the lock switch and scroll lock, before installation, make sure it's in the status as below. Lock switch on the left and scroll lock should be in "0".



Step 4: Attach the adaptor on the track, turn the lock switch to the right as indicated. Scroll the scroll lock to the designated circuit.



Step 5: Adjust the right angle and connect electricity

Attention

Switch off the power before maintenance, installation and replacement, turn on the power when the lighting fixture installed correctly.

The installation and replacement should be conducted by qualified / licensed electrician.

Product shall be installed by qualified electrician.